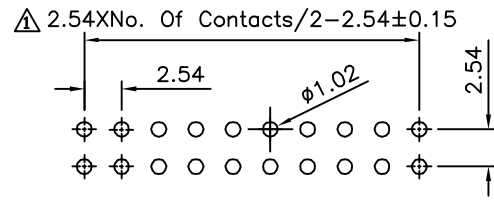
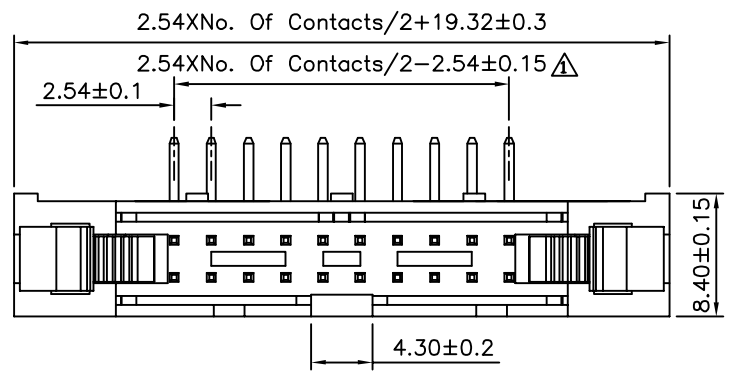
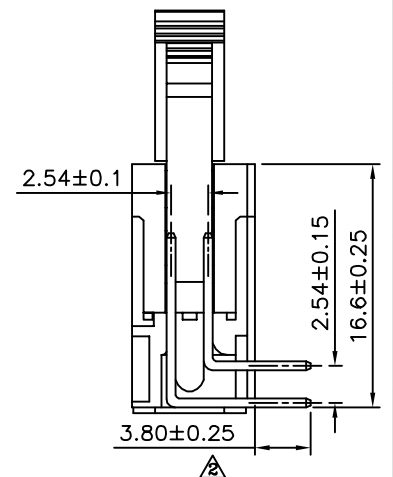
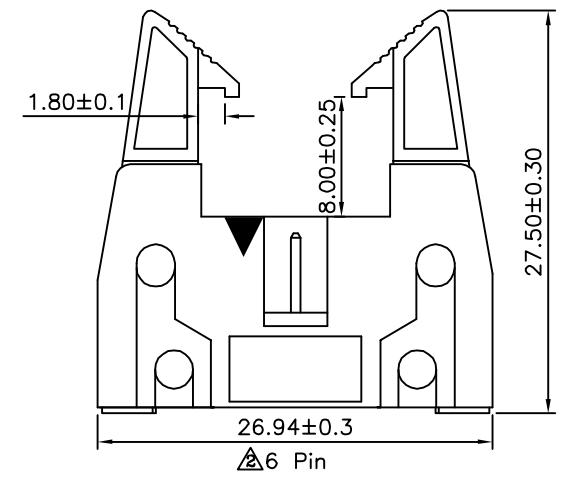
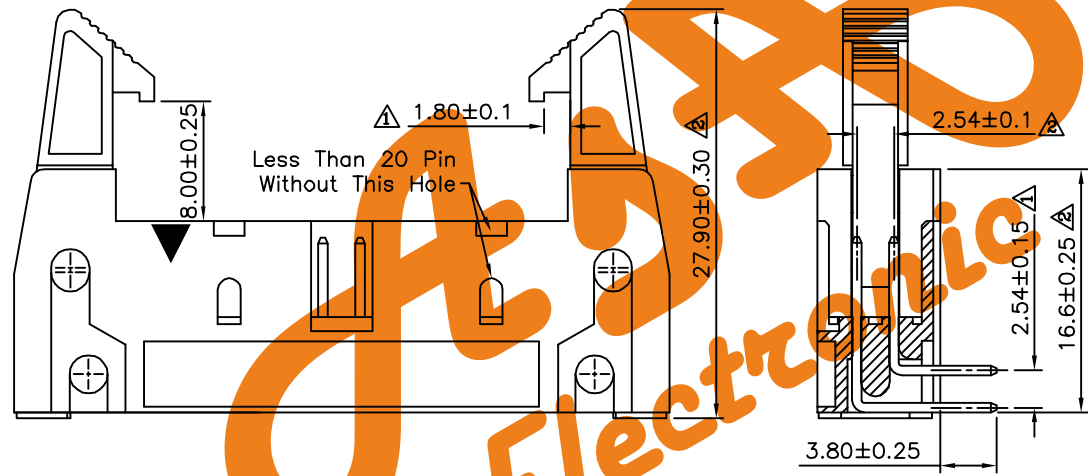
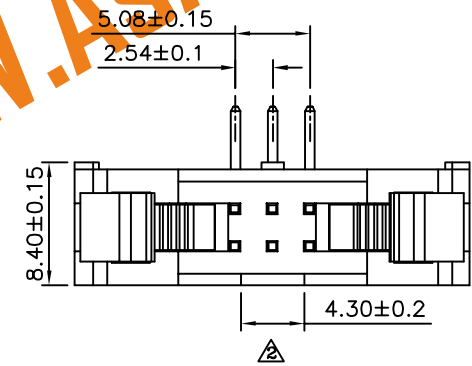


**SPECIFICATION**  
 Current Rating:3 Amps  
 Withstand Voltage:1000V AC  
 Contact Resistance:20 Milliohms Max.  
 Insulation Resistance:1000 Megaohms Min.  
 Operation Temperature:-40°C~+105°C  
 Insulator:PBT(UL94V-0),Black  
 Contact:Brass,Gold Flash Over Nickel  
 RoHS Compliant



Recommended P.C.B. Layout(Top View)  
 (PCB Board Tolerance±0.05)



**AsA Electronic Co.**  
 WWW.Asa-Elec.com  
 Tel : (+98) 21 66 73 56 82 Mob : (+98) 912 03 161 02

DRAWING No.		APPROVED BY		UNLESS OTHERWISE SPECIFIED TOLERANCES ARE X. ±0.25 X.* ±2* .X ±0.20 .X* ±1.5 .XX ±0.15 .XX* ±1* .XXX ±0.10 .XXX* ±0.5*	Telegram:09396994470			
		MEI			A2	Modify Data	HZF	03/06/2014
		CHECKED BY			A1	Modify Data	HZF	01/11/2013
		HZ			A0	NEW RELEASE	HZF	09/15/2010
		DRAWING BY						
		SONG						
SCALE	NONE	REV.	A2	UNIT	mm	NO.REV.	REVISIONS	

NO.	REV.	REVISIONS	CHK	DATE